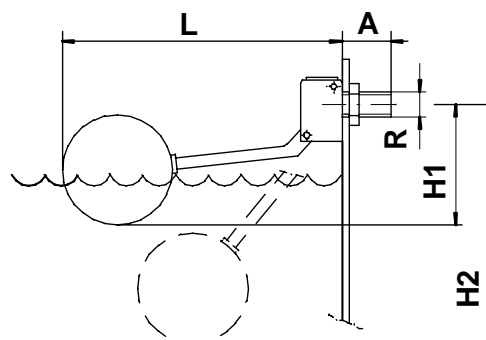


FIG. 200 FLOAT VALVE



H1 – Corresponds to the closed valve. The real value depends on the pressure when closed and the liquid density used.

H2 – Corresponds to the open valve when the float is in its lowest position.

Opening [mm]	DIMENSIONS FIG. 200					MASS WITHOUT FLOAT [kg]	Ø SPHERICAL FLOAT For pressure P = 10 bar Ø [mm]
	[Inches]	[mm]					
	R	A	L	H1	H2		
10	3/8" G	32	300	83 104	235	0,207	90
15	1/2" G	35	410	127 180	375	0,310	110
20	3/4" G	42	490	155 197	436	0,486	160
25	1" G	45	585	174 220	521	0,554	160
32	1 1/4" G	52	585	164 222	520	0,727	160
40	1 1/2" G	60	710	253 318	651	2,795	200
50	2" G	70	798	255 324	736	3,041	200
65	2 1/2" G	80	805	277 390	737	3,710	200
80 *	3" G	170	1 447	310 493	1248	15,82	300

* When greater than 3" – DN 80 it is recommended to use a flange PN 16. See table Fig.200 B.

Openning [Pulg]	FIG. 200 y FIG. 200 B WATER FLOW [l/h]						
	PRESSURE [bar]						
	1	2	3	4	6	8	10
3/8"	1 132	1 669	1 904	2 169	2 656	2 825	3 082
1/2"	2 829	3 998	4 895	5 657	6 790	7 978	8 938
3/4"	4 838	6 842	8 370	9 677	11 805	13 993	15 289
1"	6 934	9 919	12 147	14 068	17 167	19 654	21 945
1 1/4"	7 440	10 643	13 034	15 095	18 420	21 089	23 547
1 1/2"	15 556	21 948	26 928	31 104	37 635	43 657	51 516
2"	23 685	33 863	40 977	47 372	45 791	67 532	75 500
2 1/2"	24 869	35 556	43 025	49 740	60 680	70 908	79 275
3"	55 868	79 013	96 783	111 756	136 873	158 047	173 703
4"	92 231	130 441	159 777	184 495	225 959	280 915	291 714

Features:

Valve system patented and guarantees a perfect seal with minimum force from the float.

Connection with Gas Thread, cylindrical DIN-ISO 228/1985.

Made from stainless steel 18/8 (AISI 316 / DIN 1.4401 & CF8M, DIN 1.4408).

Swing type valve with silicone shutter, available in VITON, EPDM, BUNA, PTEF, etc. on demand.

The valve close progressively.

Note: For turbulent waters, shaken water deposits found in refrigeration towers, etc. reinforced levers should be used.

Nominal pressure PN-16. Maximum variable pressure 10 bar.

Non-binding information sheet and be modified without notice.



Rda. Shimizu nº nave 4
Pol. Ind. Can Torrella
08233 Vacarisses – Barcelona - (España)
Tel. +34 938 280 444 – Fax. +34 938 280 450
E-mail: comercial@valvulasct.com
info@valvulasct.com

www.valvulasct.com

Medalla de bronce
BRUSSELS EUREKA
SALON MONDIAL DE L'INVENTION 1986

